

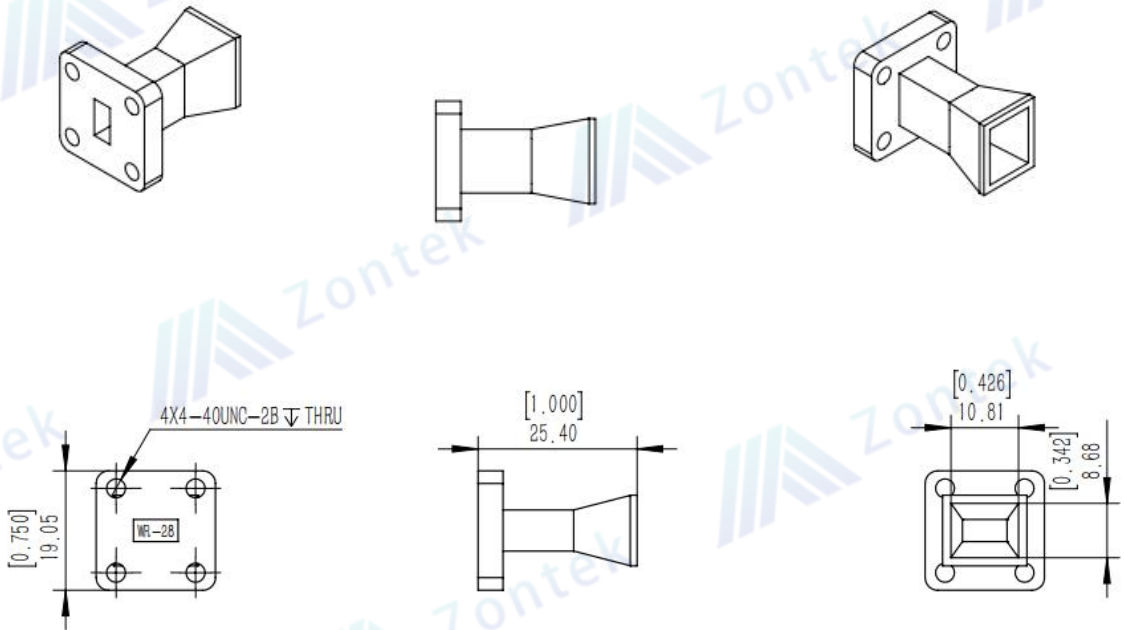


| Technical Specification | | |
|-----------------------------------|-------------------------|------|
| Standard Gain Horn Antenna | | |
| Item | Specification | Unit |
| Model | ZK-STLB028-10 | |
| Frequency Range | 26.5-40 | GHz |
| Gain | 10 Typ. | dB |
| VSWR | 1.3 Typ. | |
| Polarization | Linear | |
| Beam width of plane E | 51.6°Typ. | |
| Beam width of plane H | 52.1°Typ. | |
| Waveguide | WR28 | |
| Flange | UG-599/U Square Cover | |
| Material | Al | |
| Color | Grey(7544C) | |
| Size | 25.4*19.05*19.05(L*W*H) | mm |

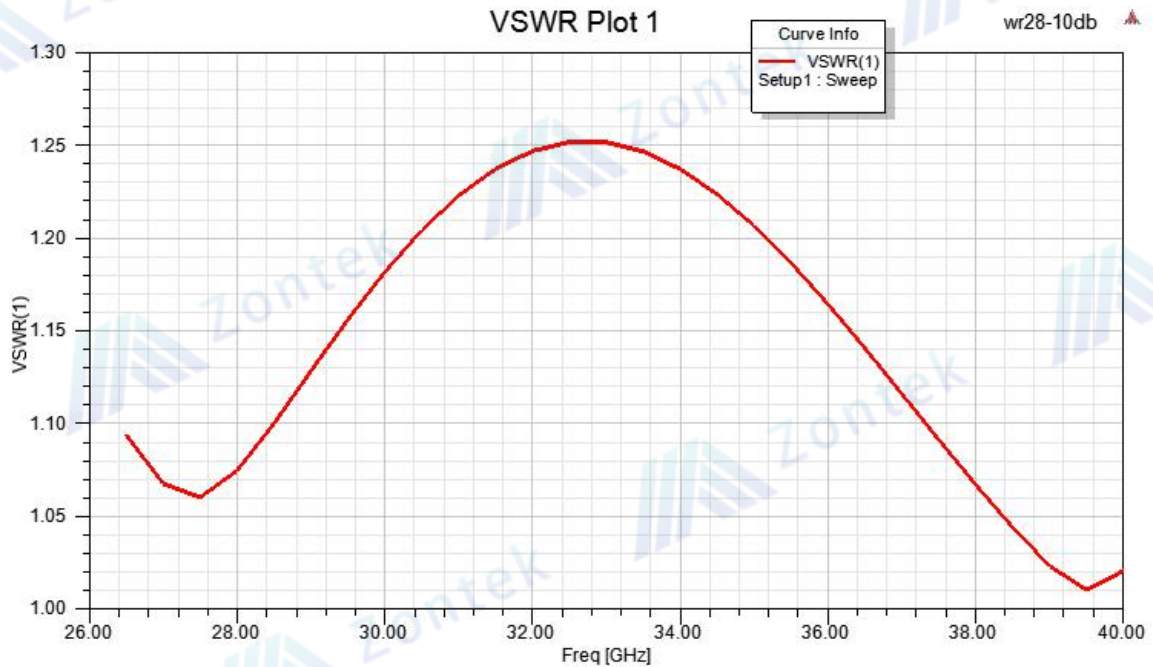


Chengdu Zontek Technology Co.,Ltd.

Outline Drawing:



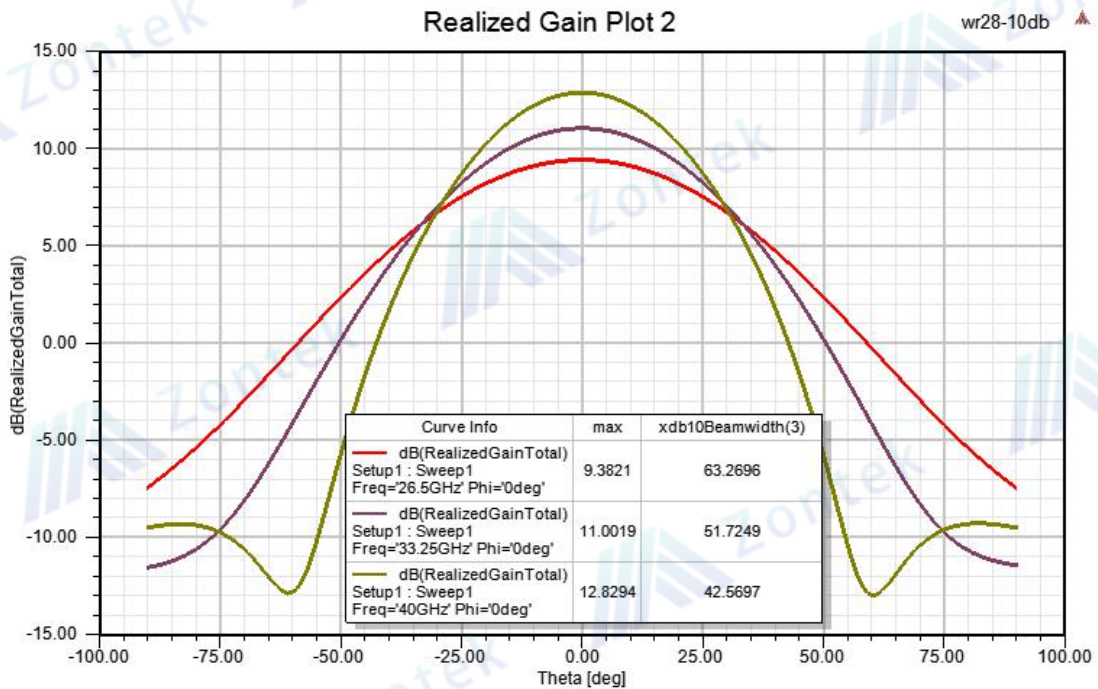
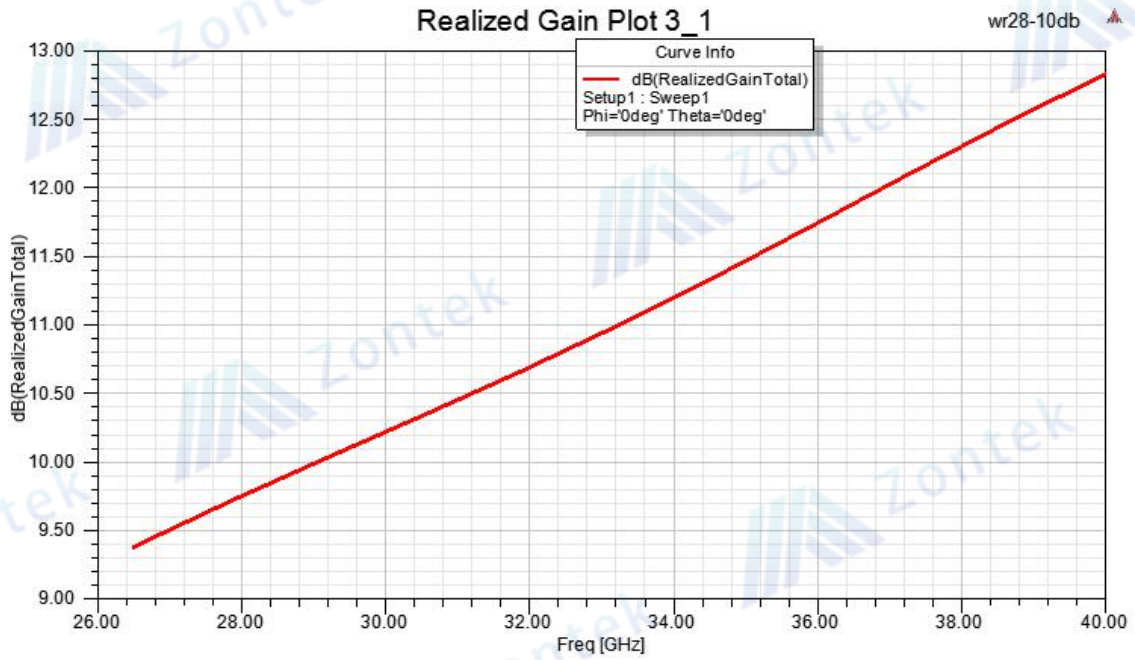
VSWR:





Chengdu Zontek Technology Co.,Ltd.

Gain:





Chengdu Zontek Technology Co.,Ltd.

