

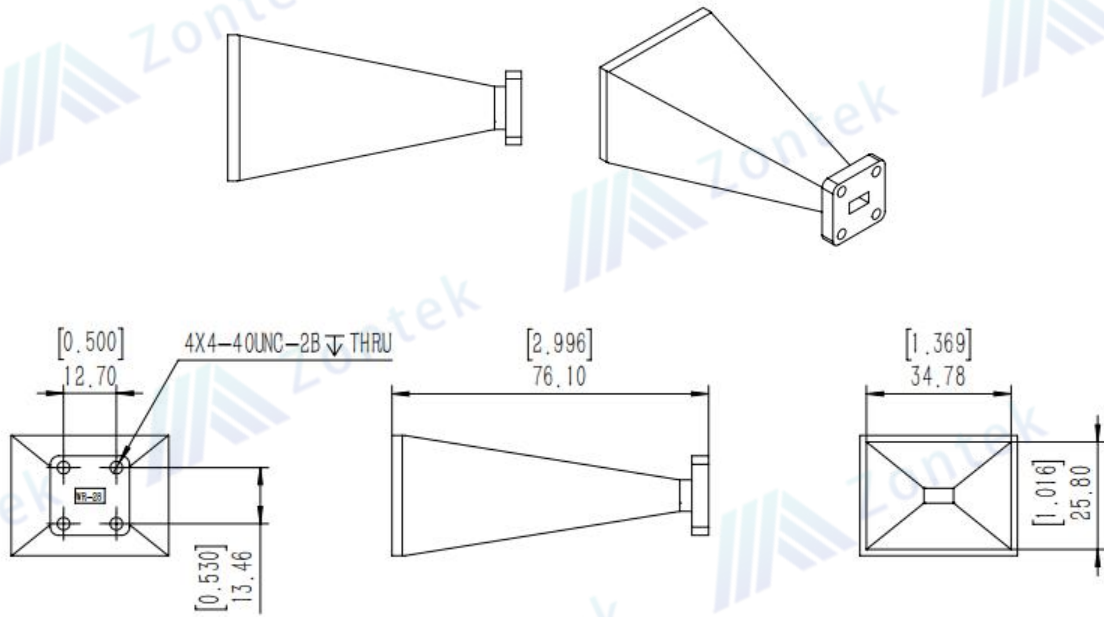


Technical Specification		
Standard Gain Horn Antenna		
Item	Specification	Unit
Model	ZK-STLB028-20	
Frequency Range	26.5-40	GHz
Gain	20 Typ.	dB
VSWR	1.3 Typ.	
Polarization	Linear	
Beam width of plane E	17.3°Typ	
Beam width of plane H	17.5°Typ	
Waveguide	WR28	
Flange	UG-599/U Square Cover	
Material	Al	
Color	Grey(7544C)	
Size	76.1*37.86*28.85(L*W*H)	mm

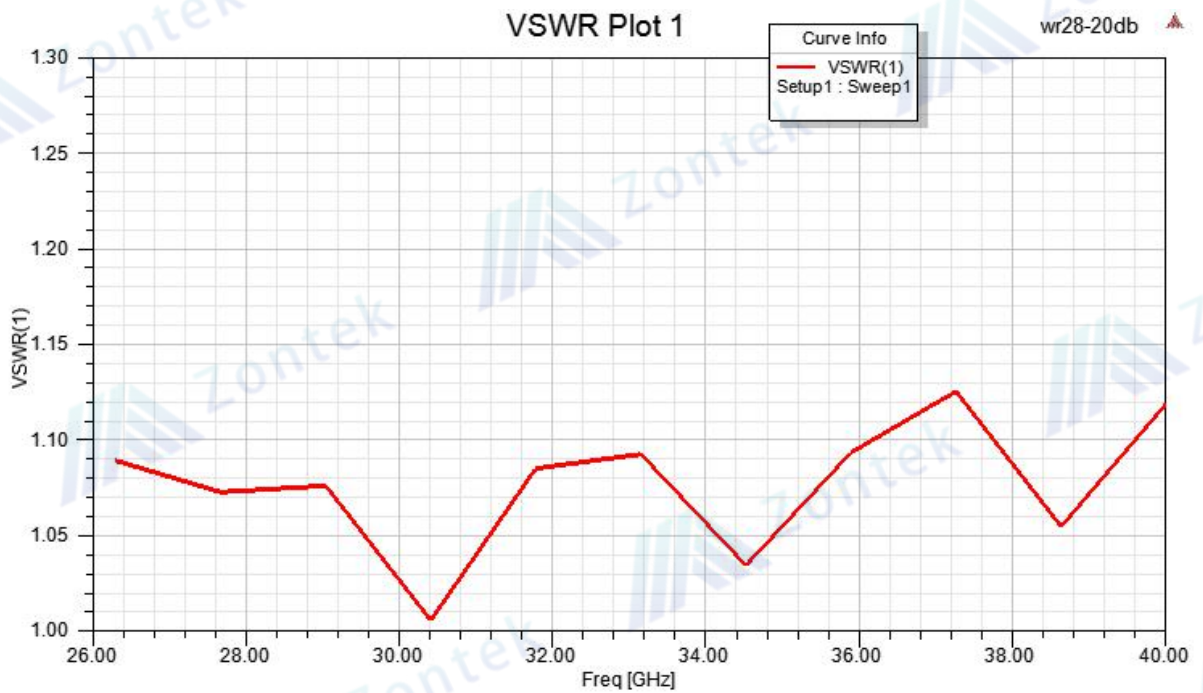


Chengdu Zontek Technology Co.,Ltd.

Outline Drawing:



VSWR:





Gain:

