

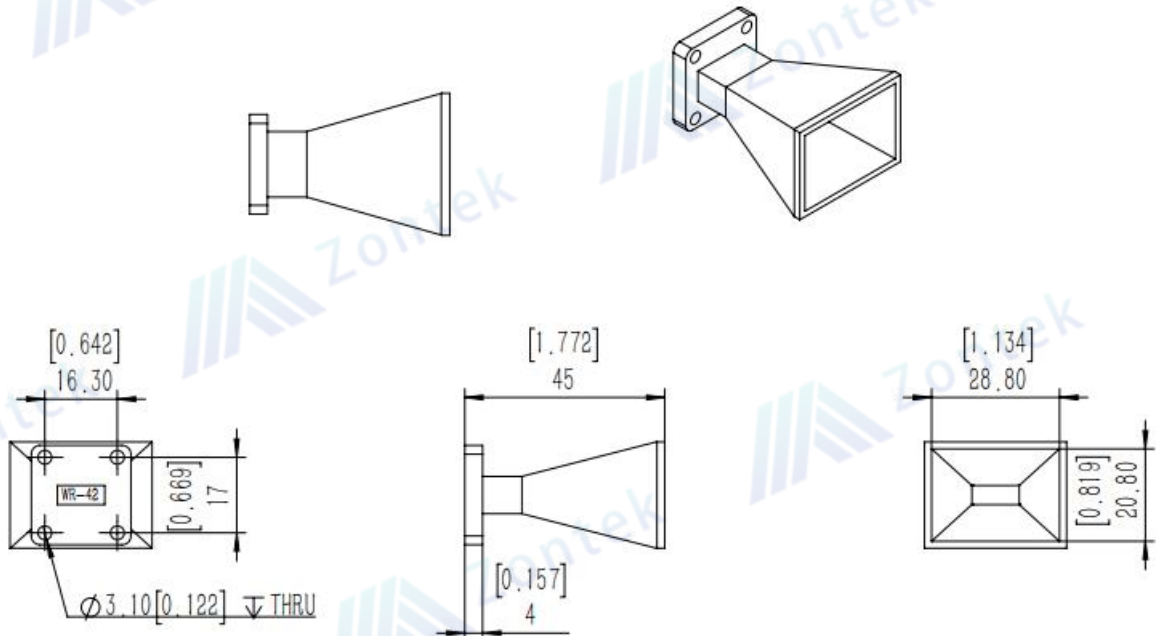


<b>Technical Specification</b>		
<b>Standard Gain Horn Antenna</b>		
Item	Specification	Unit
Model	ZK-STLB042-15	
Frequency Range	18-26.5	GHz
Gain	15 Typ.	dB
VSWR	1.3 Typ.	
Polarization	Linear	
Beam width of plane E	32°Typ	
Beam width of plane H	31°Typ	
Waveguide	WR42	
Flange	UG-597/U Square Cover	
Material	Al	
Color	Grey(7544C)	
Size	45*31.96*23.93(L*W*H)	mm

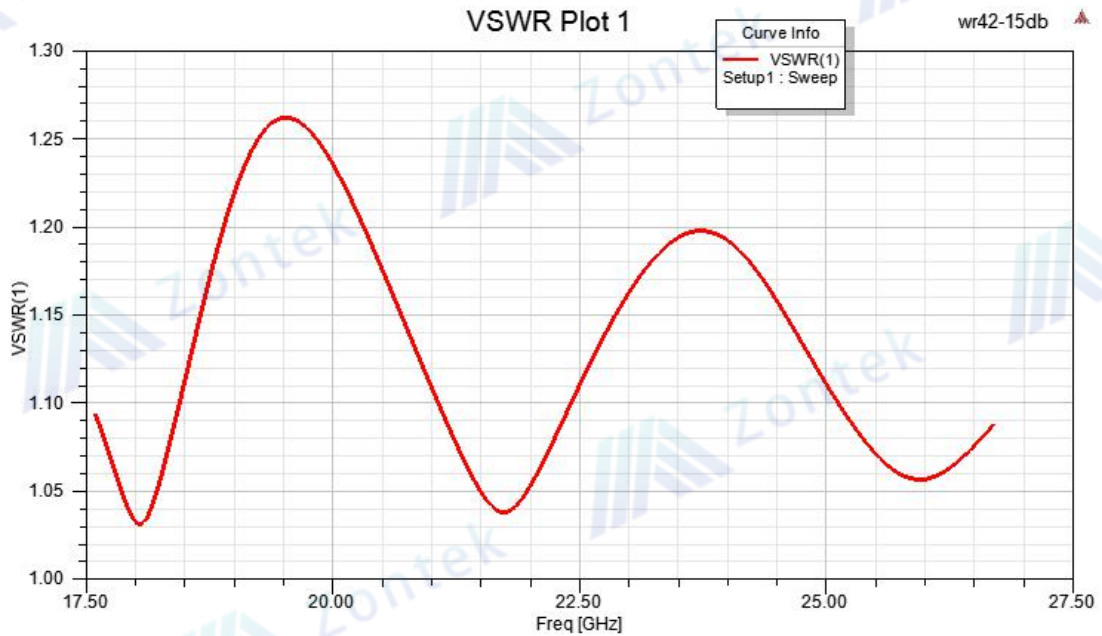


# Chengdu Zontek Technology Co.,Ltd.

Outline Drawing:

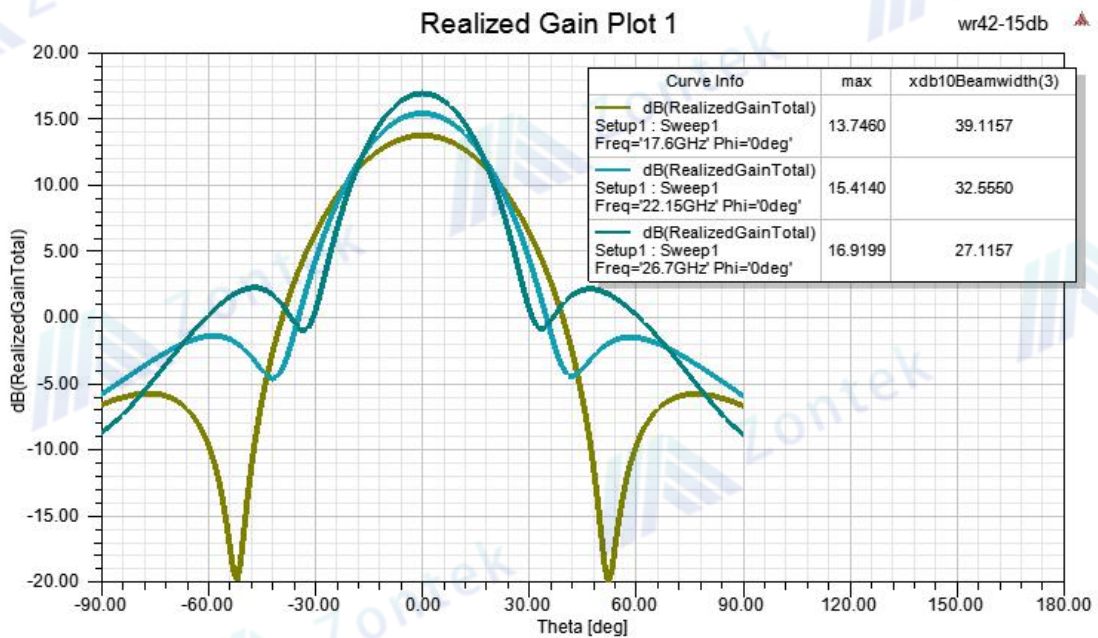
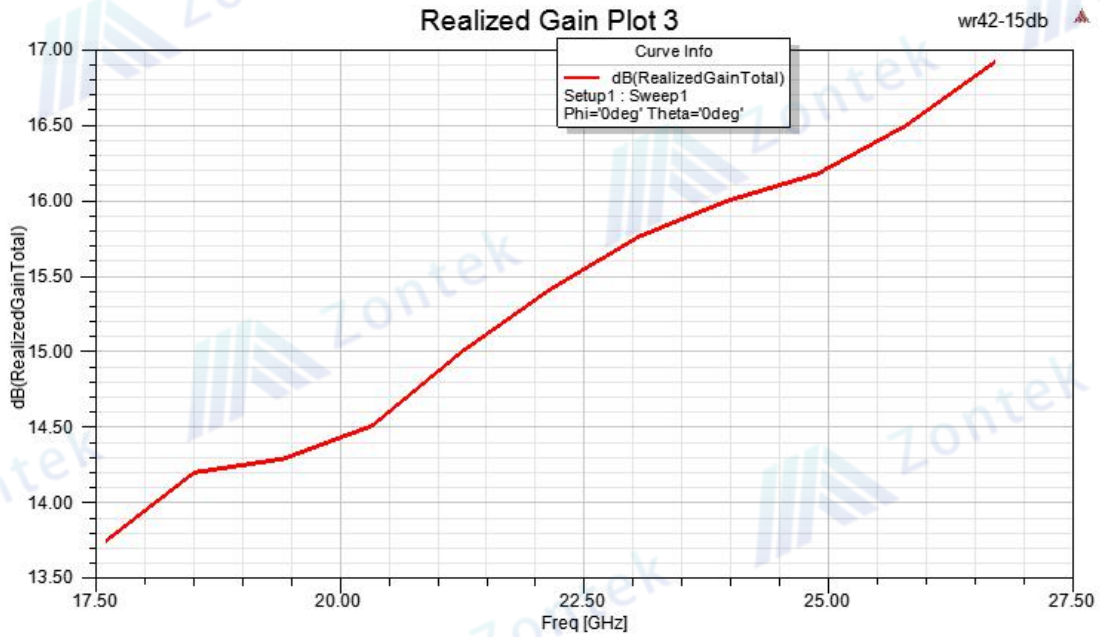


VSWR:





Gain:





# Chengdu Zontek Technology Co.,Ltd.

