

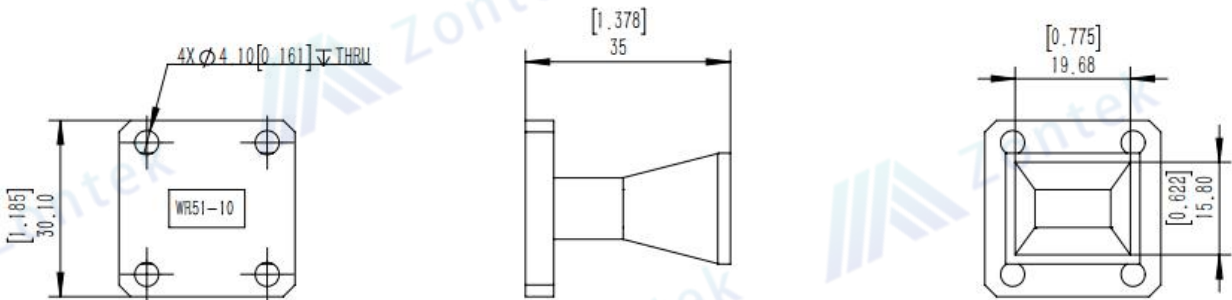
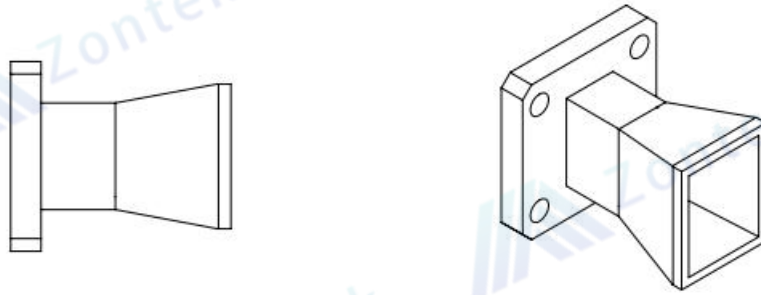


Technical Specification		
Standard Gain Horn Antenna		
Item	Specification	Unit
Model	ZK-STLB051-10	
Frequency Range	15-22	GHz
Gain	10d Typ.	dB
VSWR	1.3 Typ.	
Polarization	Linear	
Beam width of plane E	51.6°Typ	
Beam width of plane H	52.1°Typ	
Waveguide	WR51	
Flange	Square Cover	
Material	Al	
Color	Grey(7544C)	
Size	35*30.1*30.1(L*W*H)	mm

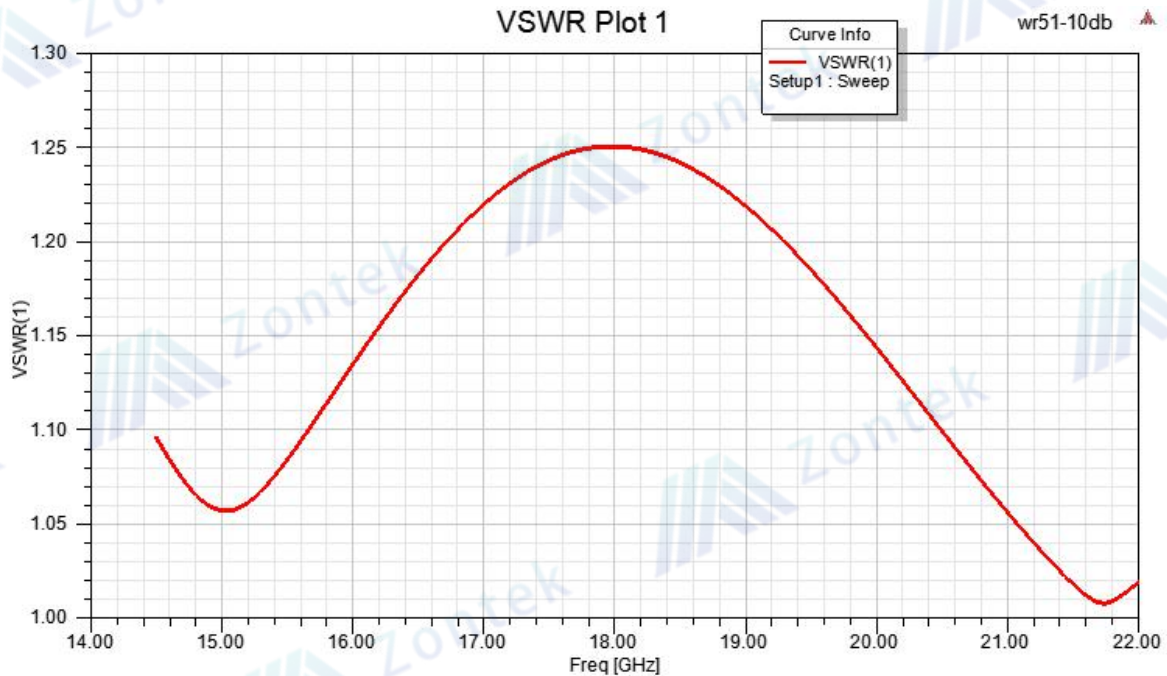


Chengdu Zontek Technology Co.,Ltd.

Outline Drawin

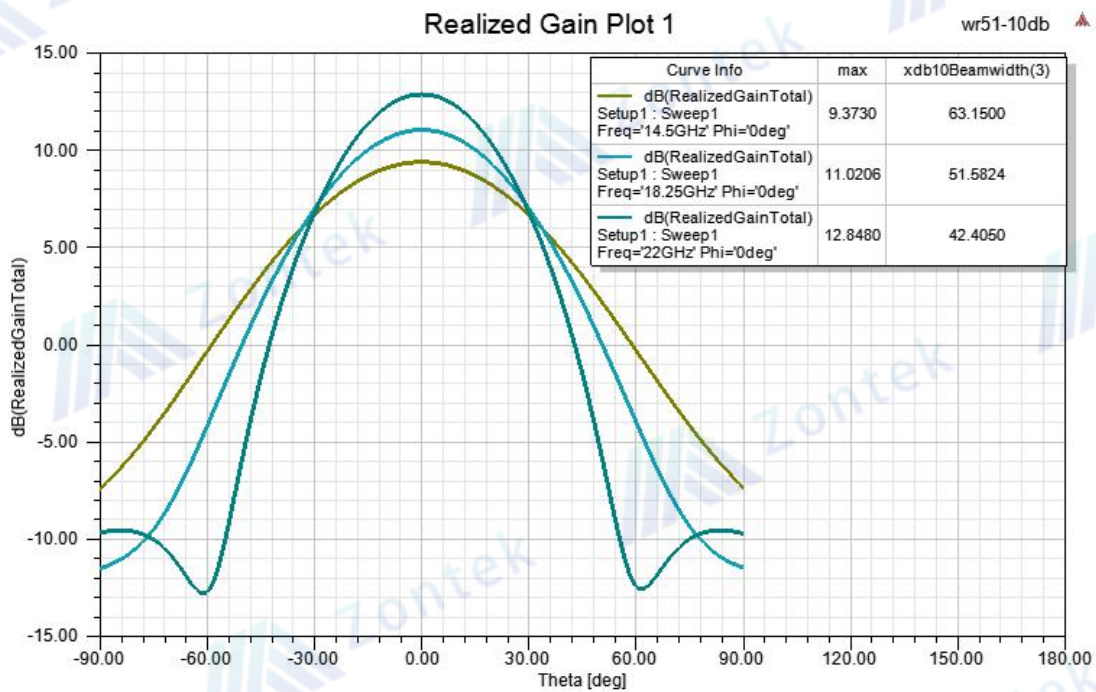
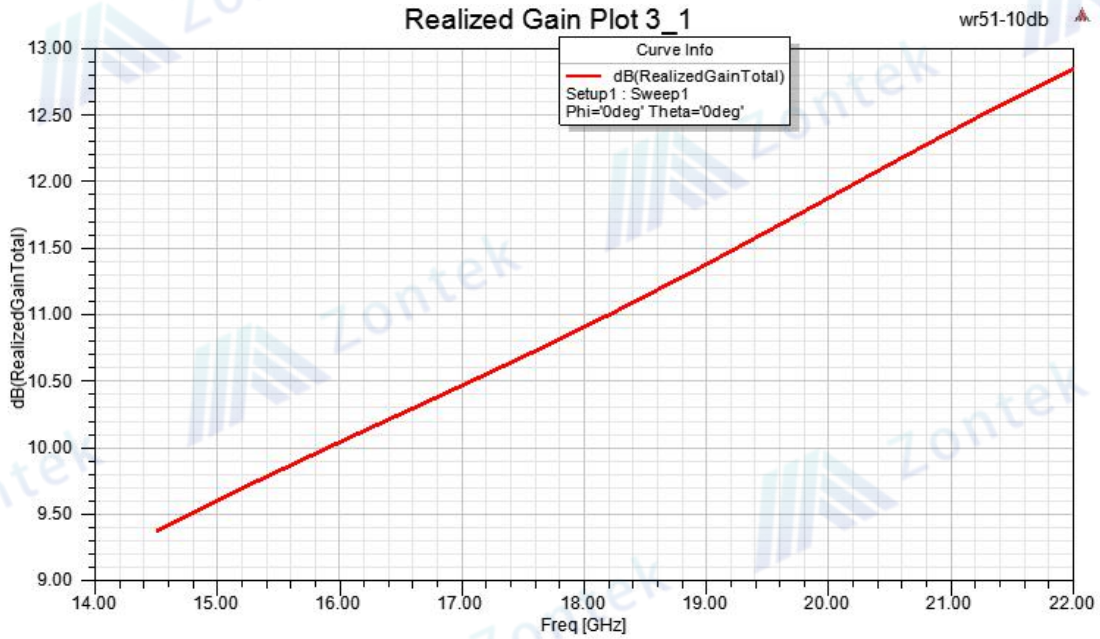


VSWR:





Gain:





Chengdu Zontek Technology Co.,Ltd.

