

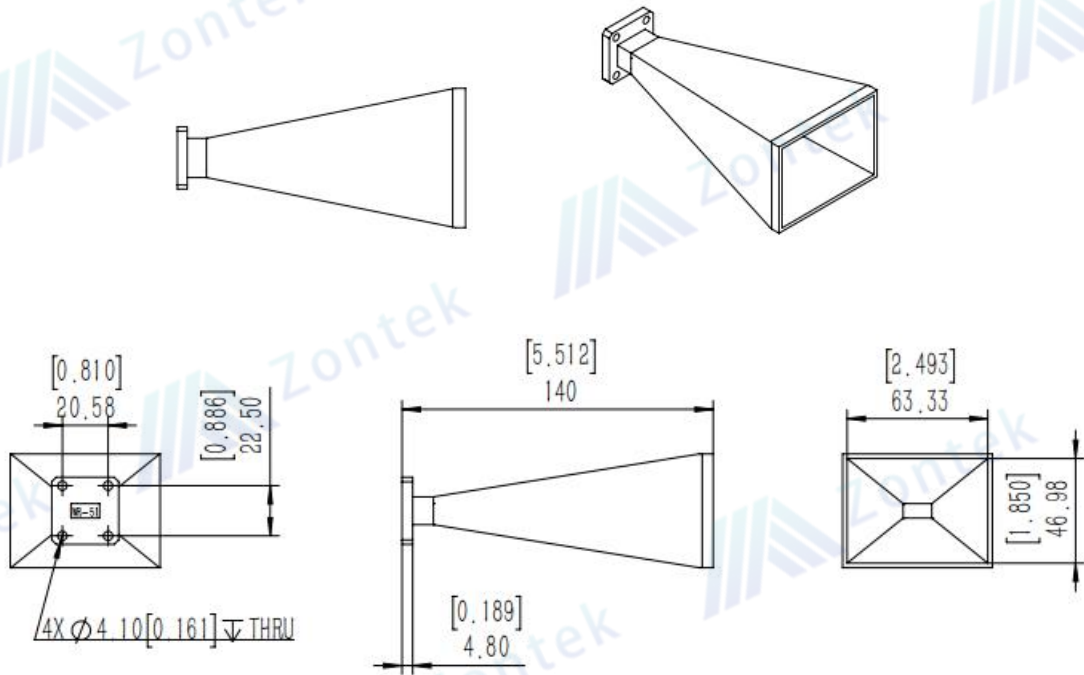


Technical Specification		
Standard Gain Horn Antenna		
Item	Specification	Unit
Model	ZK-STLB051-20	
Frequency Range	15-22	GHz
Gain	20 Typ.	dB
VSWR	1.3 Typ.	
Polarization	Linear	
Beam width of plane E	17.3°Typ	
Beam width of plane H	17.5°Typ	
Waveguide	WR51	
Flange	Square Cover	
Material	Al	
Color	Grey(7544C)	
Size	140*67.5*51.1(L*W*H)	mm

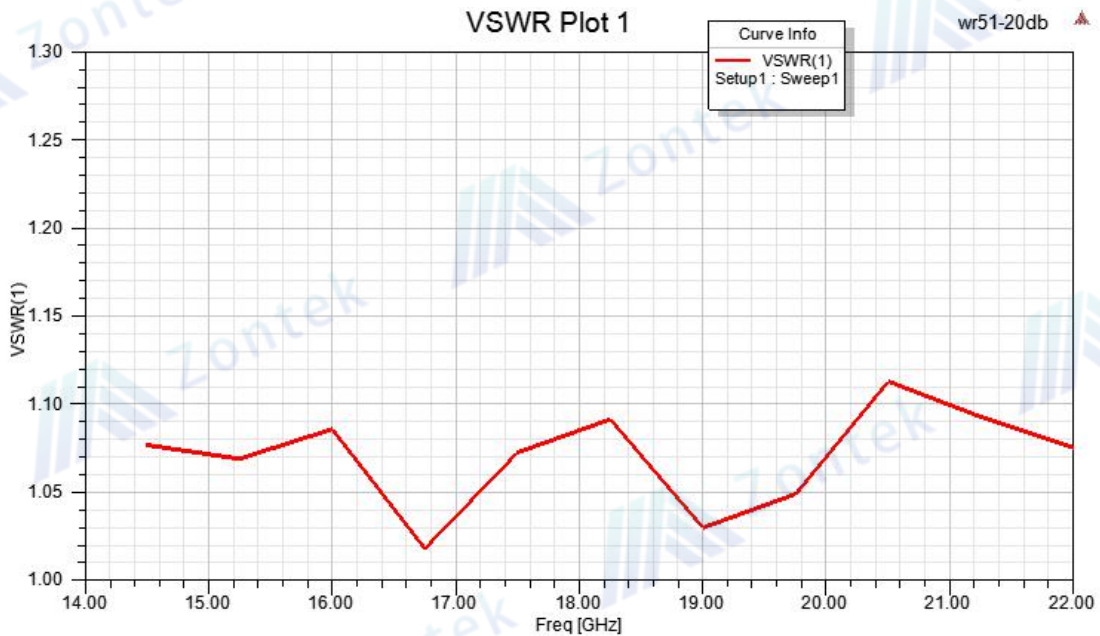


# Chengdu Zontek Technology Co.,Ltd.

Outline Drawing:

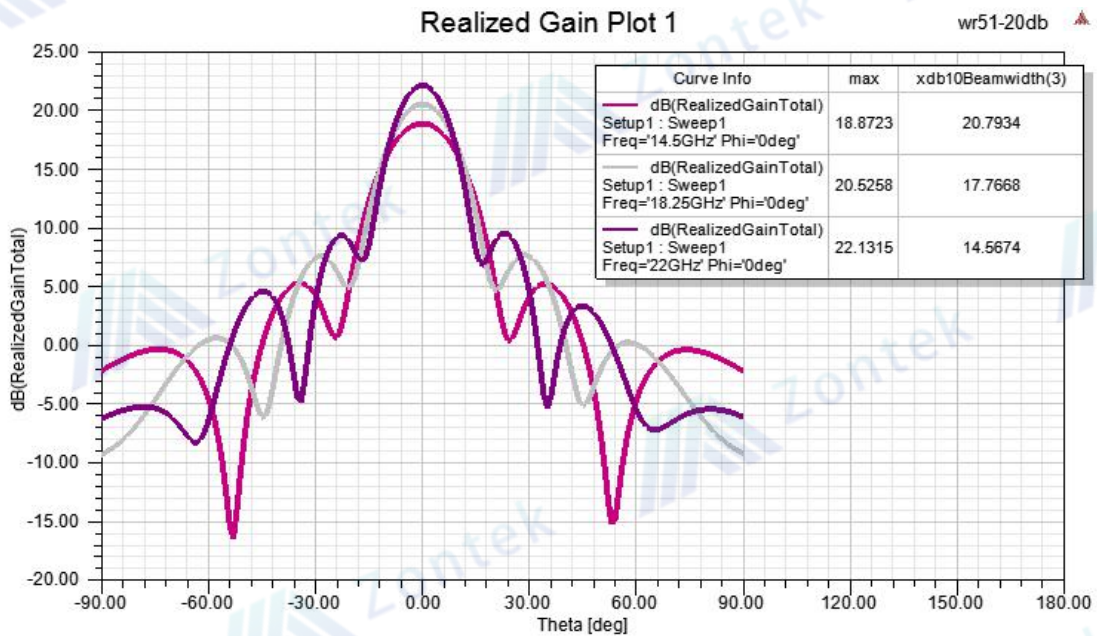
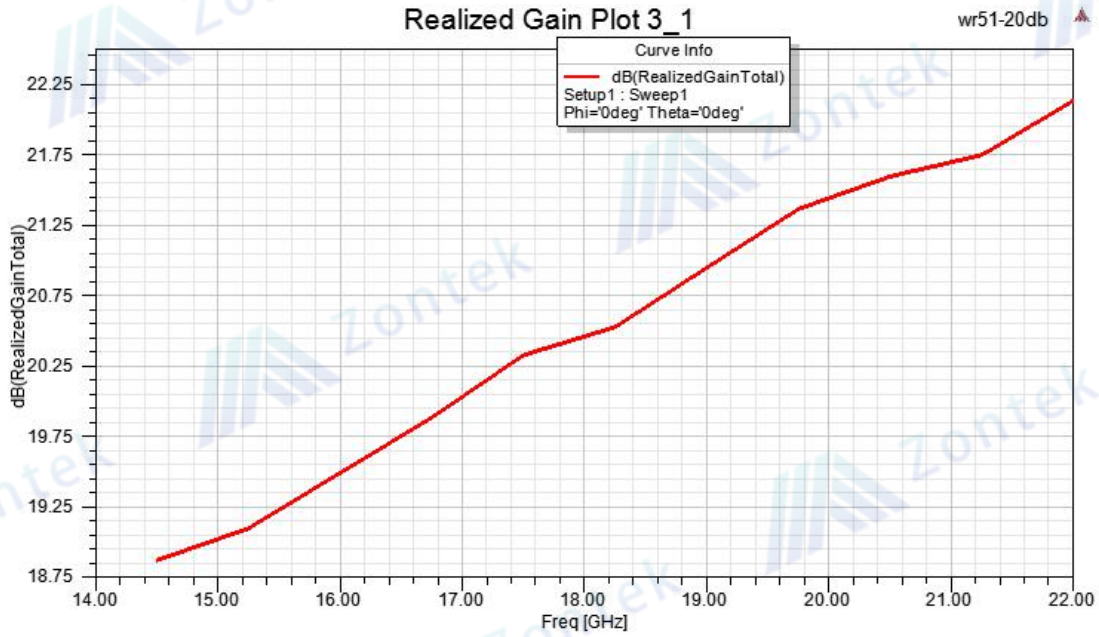


VSWR:





Gain:





# Chengdu Zontek Technology Co.,Ltd.

