

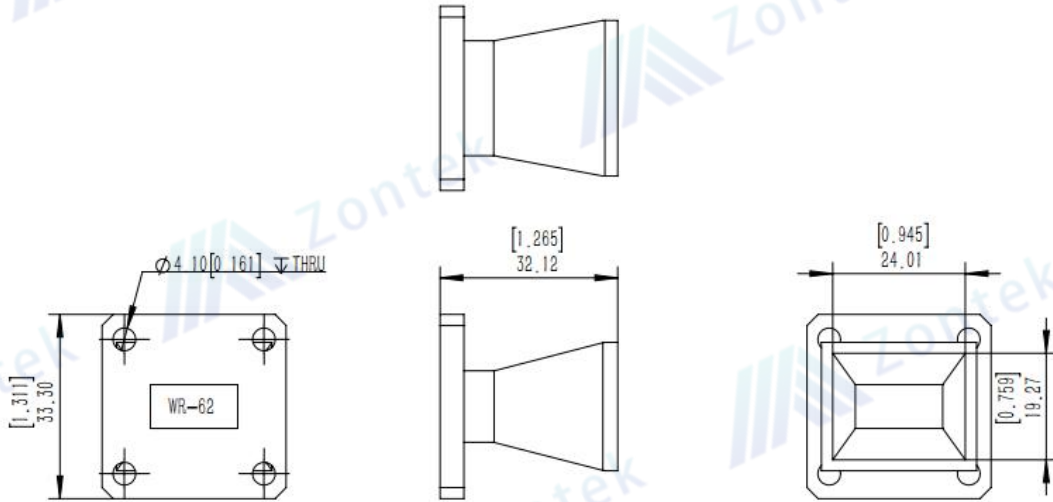


Technical Specification		
Standard Gain Horn Antenna		
Item	Specification	Unit
Model	ZK-STLB062-10	
Frequency Range	12.4-18	GHz
Gain	10 Typ.	dB
VSWR	1.3 Typ.	
Polarization	Linear	
Beam width of plane E	51.6°Typ	
Beam width of plane H	52.1°Typ	
Waveguide	WR62	
Flange	Square Cover	
Material	Al	
Color	Grey(7544C)	
Size	32.12*33.3*33.3(L*W*H)	mm

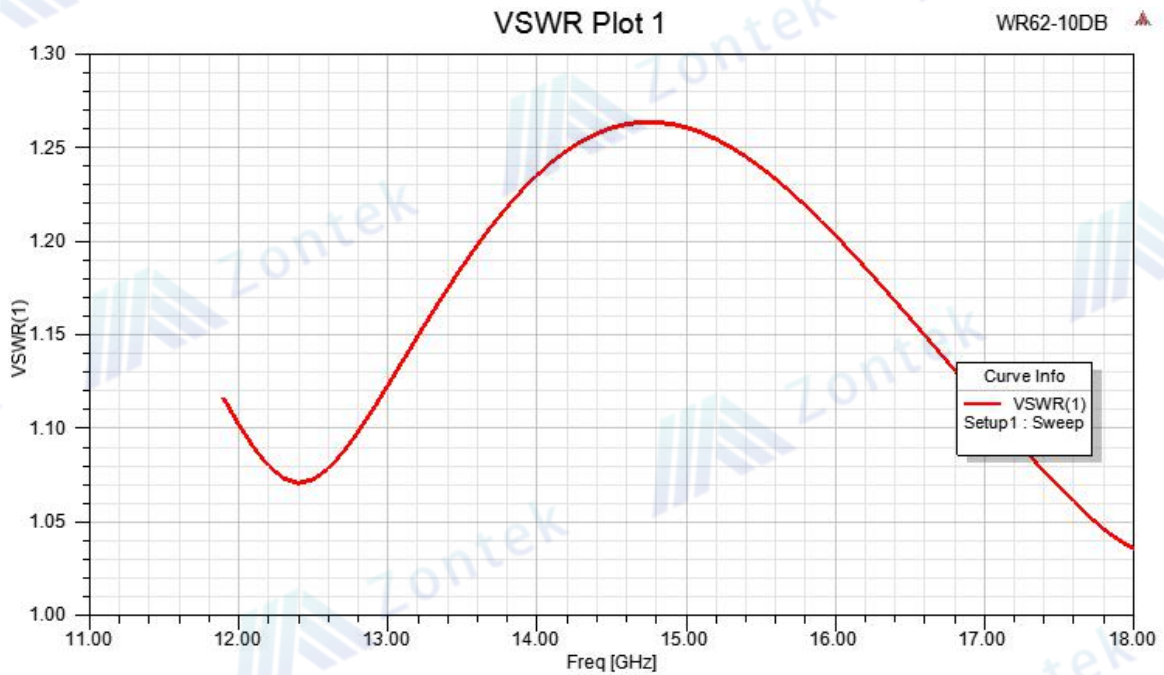


# Chengdu Zontek Technology Co.,Ltd.

Outline Drawing:



VSWR:





Gain:

