

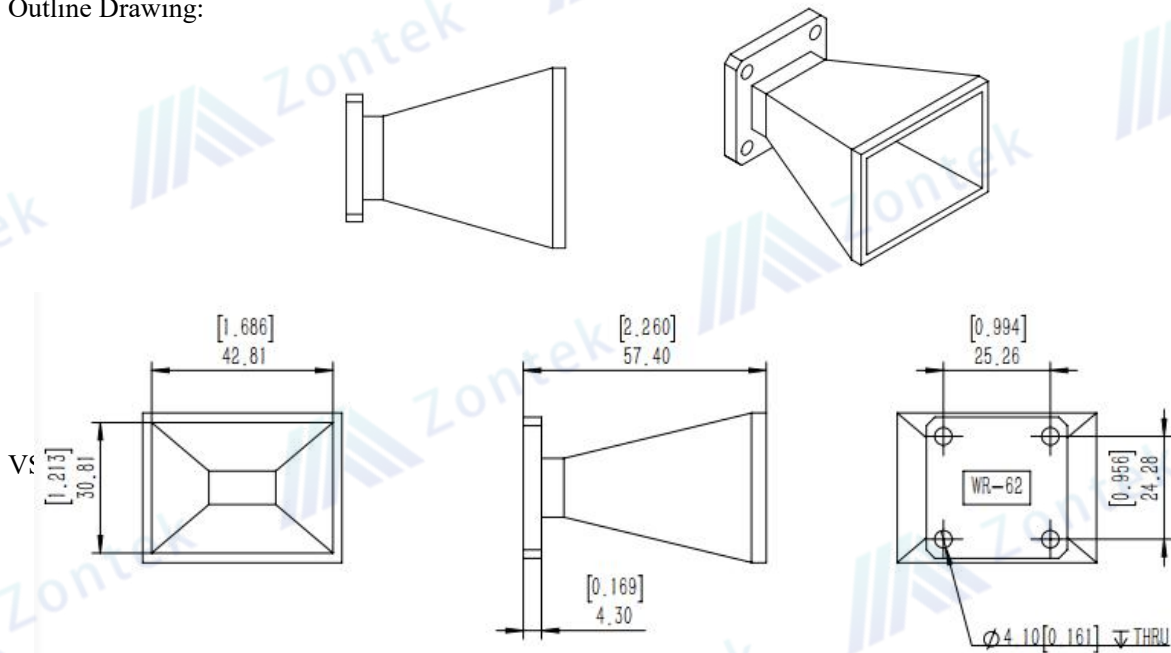


Technical Specification		
Standard Gain Horn Antenna		
Item	Specification	Unit
Model	ZK-STLB062-15	
Frequency Range	12.4-18	GHz
Gain	15 Typ.	dB
VSWR	1.3 Typ.	
Polarization	Linear	
Beam width of plane E	32°Typ	
Beam width of plane H	31°Typ	
Waveguide	WR63	
Flange	Square Cover	
Material	Al	
Color	Grey(7544C)	
Size	57.4*47.05*35.38(L*W*H)	mm

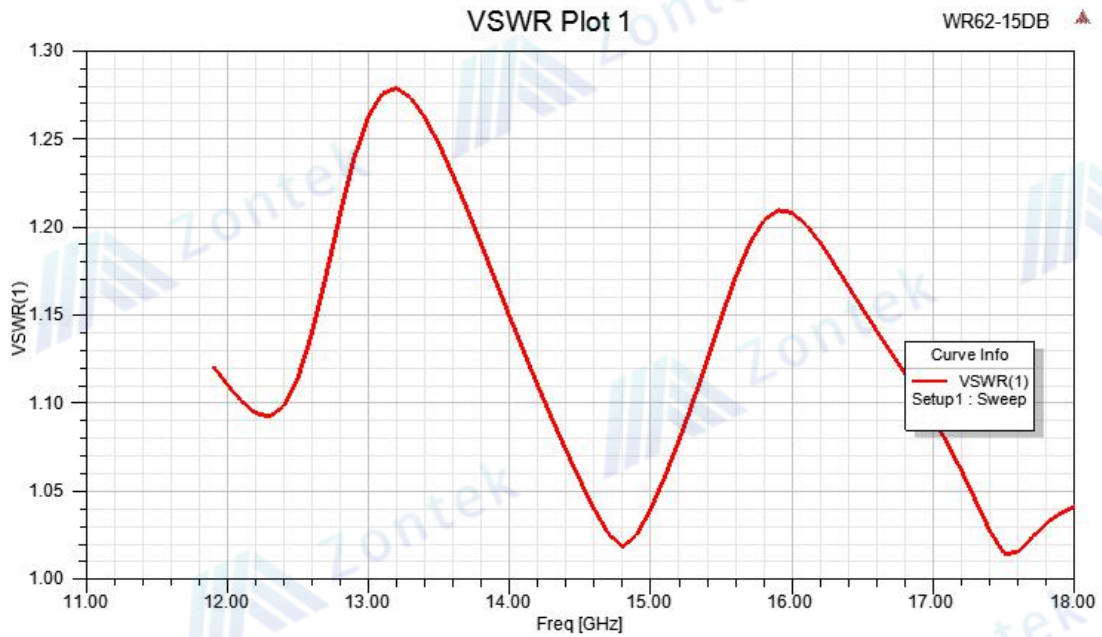


Chengdu Zontek Technology Co.,Ltd.

Outline Drawing:



VSWR:





Gain:

