

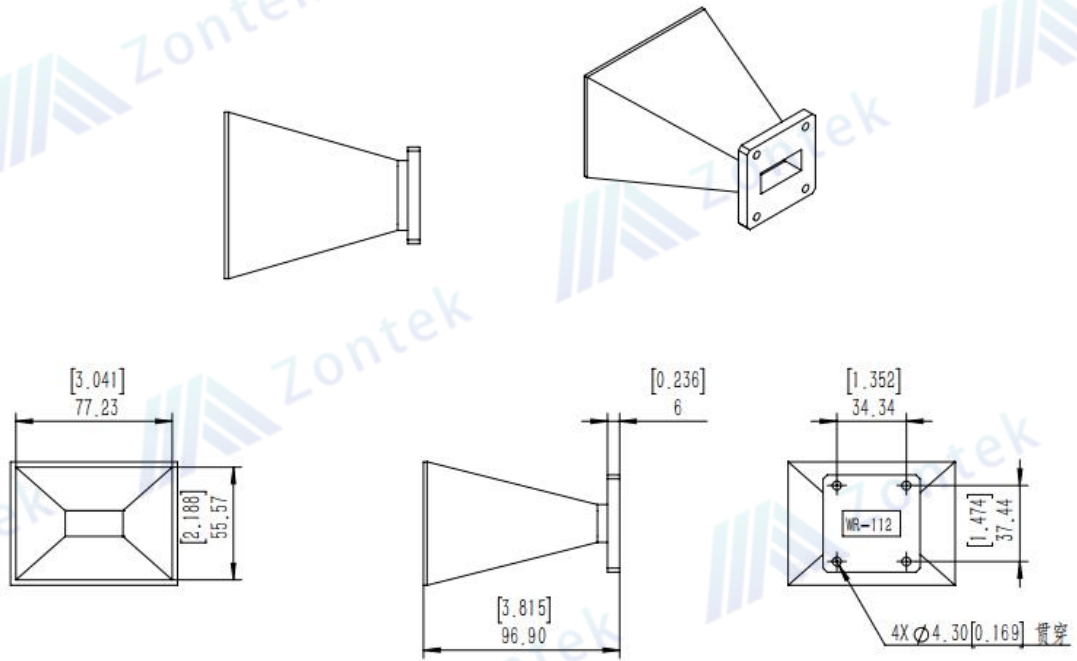


| Technical Specification | | |
|-----------------------------------|-------------------------|------|
| Standard Gain Horn Antenna | | |
| Item | Specification | Unit |
| Model | ZK-STLB112-15 | |
| Frequency Range | 7.05-10 | GHz |
| Gain | 15 Typ. | dB |
| VSWR | 1.3 Typ. | |
| Polarization | Linear | |
| Beam width of plane E | 32°Typ | |
| Beam width of plane H | 31°Typ | |
| Waveguide | WR112 | |
| Flange | Square Cover | |
| Material | Al | |
| Color | Grey(7544C) | |
| Size | 96.9*82.47*60.76(L*W*H) | mm |

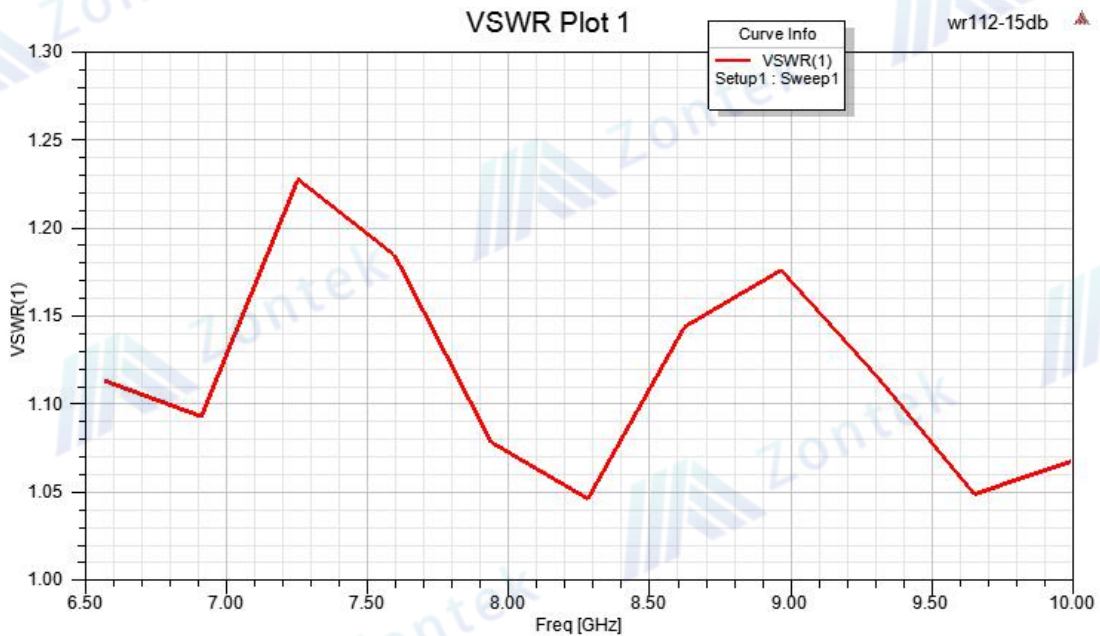


Chengdu Zontek Technology Co.,Ltd.

Outline Drawing:

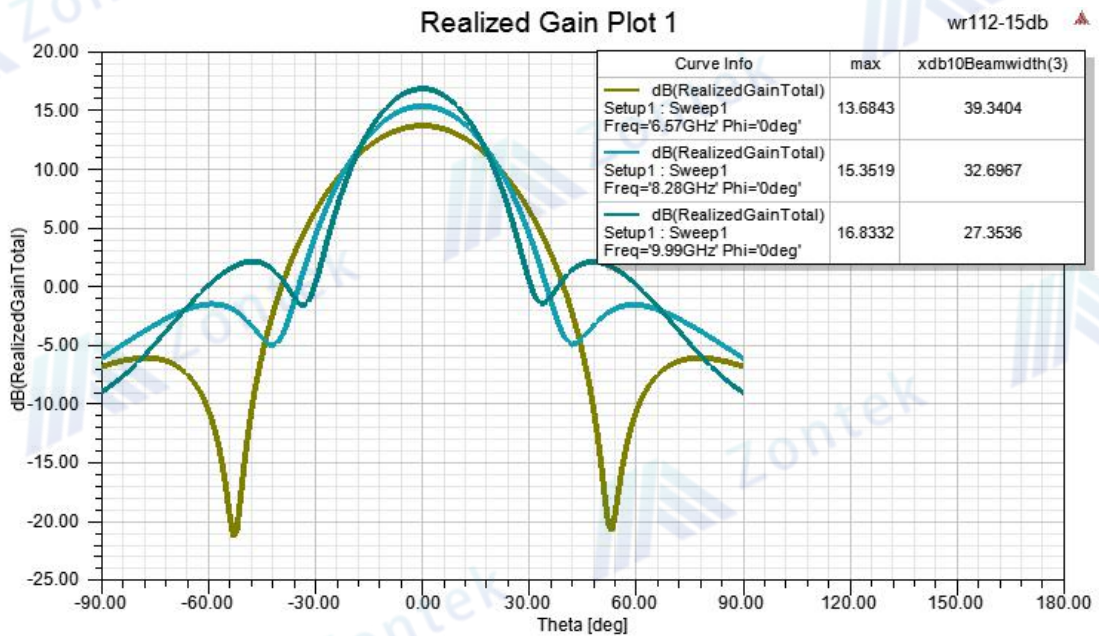
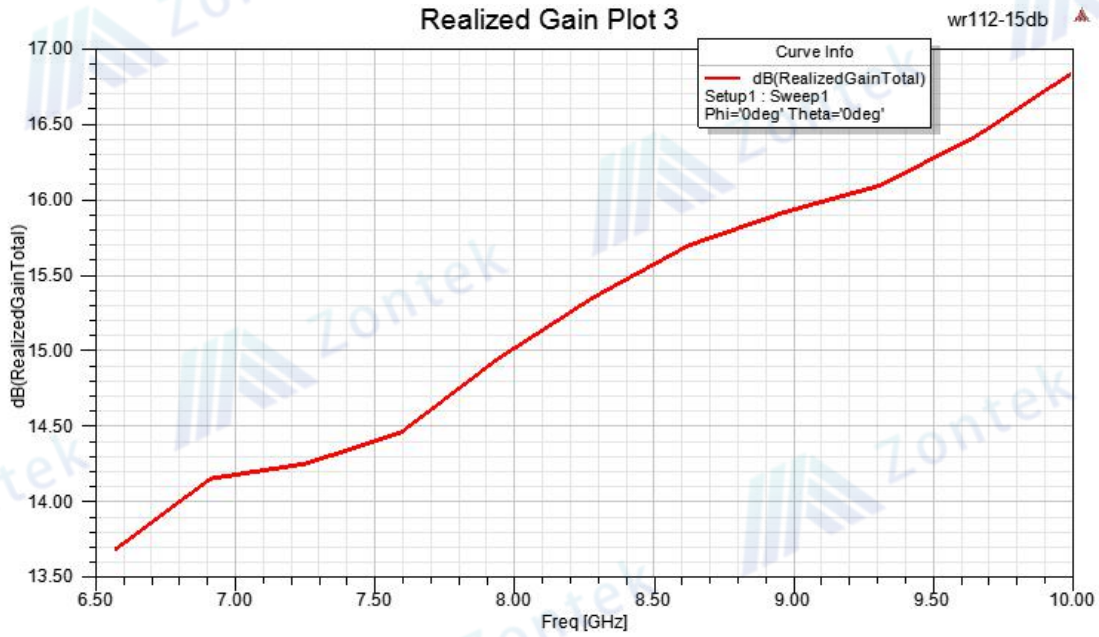


VSWR:





Gain:





Chengdu Zontek Technology Co.,Ltd.

