

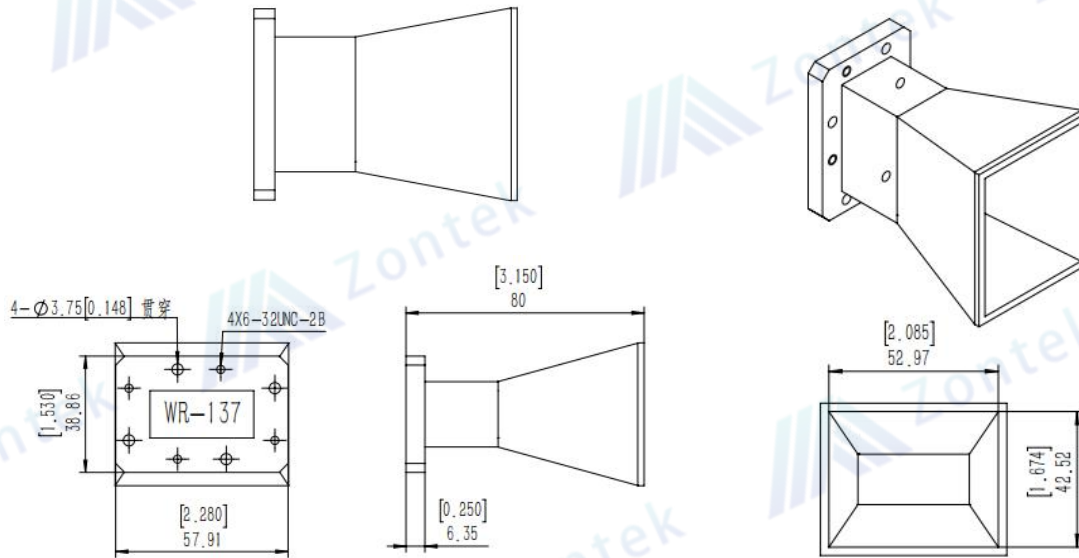


Technical Specification		
Standard Gain Horn Antenna		
Item	Specification	Unit
Model	ZK-STLB137-10	
Frequency Range	5.85-8.2	GHz
Gain	10 Typ.	dB
VSWR	1.3 Typ.	
Polarization	Linear	
Beam width of plane E	51.6°Typ	
Beam width of plane H	52.1°Typ	
Waveguide	WR137	
Flange	CMR-137	
Material	Al	
Color	Grey(7544C)	
Size	80*58.27*47.74(L*W*H)	mm

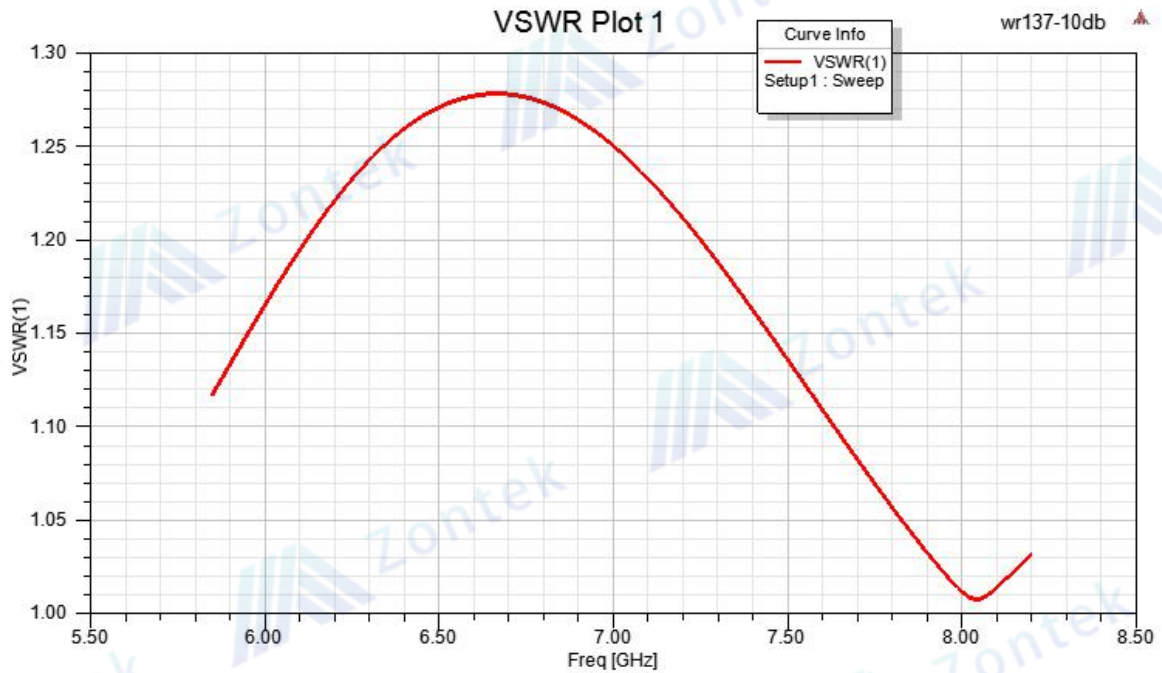


Chengdu Zontek Technology Co.,Ltd.

Outline Drawing:



VSWR:

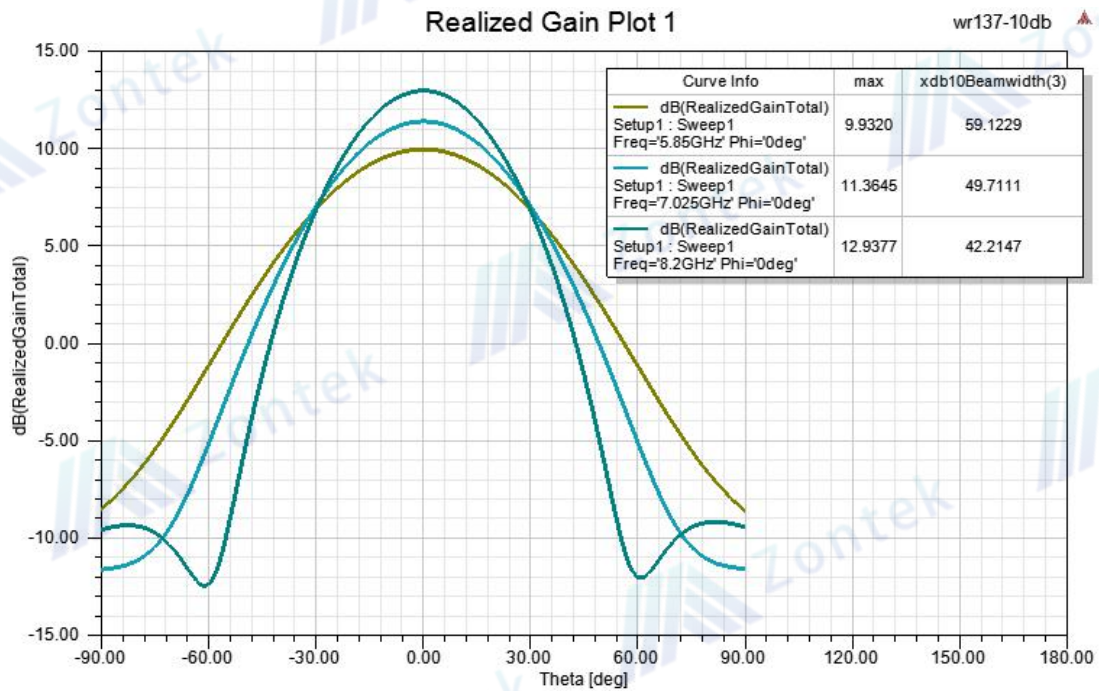
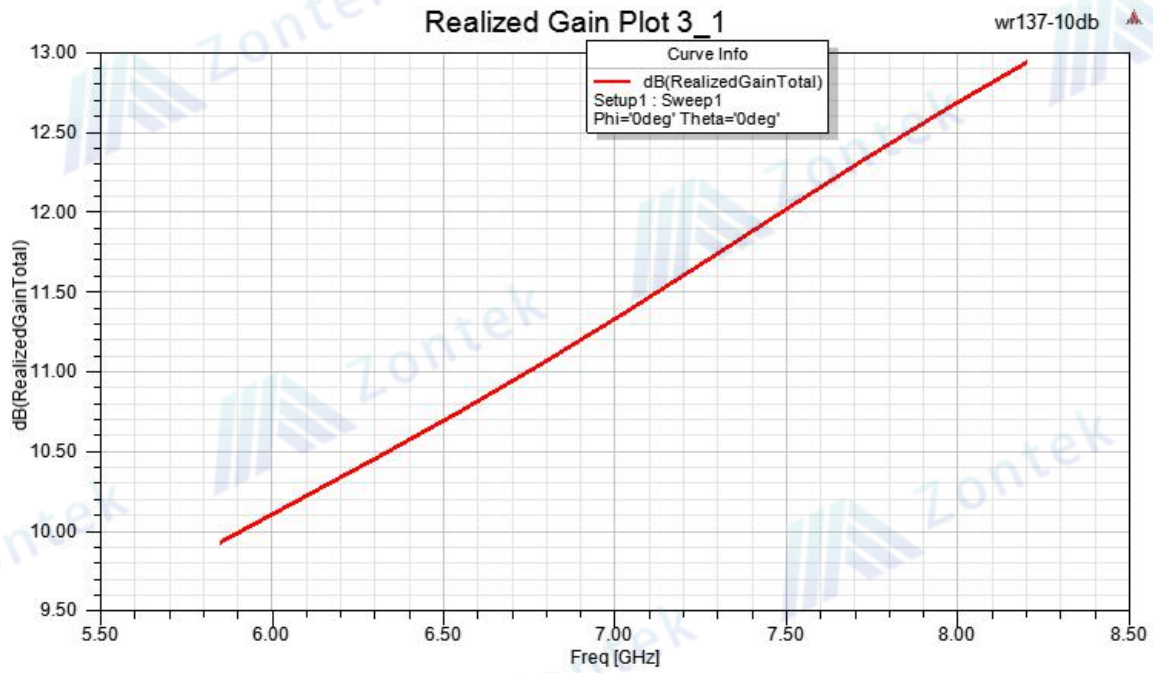


site: www.a-microem.com Email: salesdirector@a-microem.com Tel: (+86) 028-89541190
Data for reference only, for more information, please contact: salesdirector@a-microem.com



Chengdu Zontek Technology Co.,Ltd.

Gain:





Chengdu Zontek Technology Co.,Ltd.

