

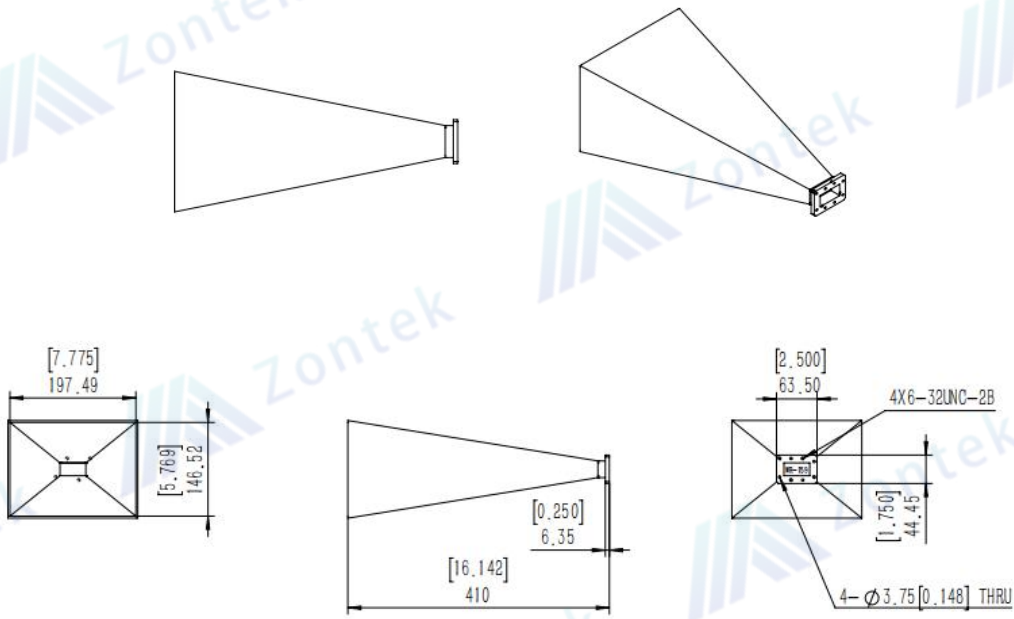


Technical Specification		
Standard Gain Horn Antenna		
Item	Specification	Unit
Model	ZK-STLB159-20	
Frequency Range	4.9-7.05	GHz
Gain	20 Typ.	dB
VSWR	1.3 Typ.	
Polarization	Linear	
Beam width of plane E	17.3°Typ	
Beam width of plane H	17.5°Typ	
Waveguide	WR159	
Flange	CMR-159	
Material	Al	
Color	Grey(7544C)	
Size	410*203.6*152.6	mm

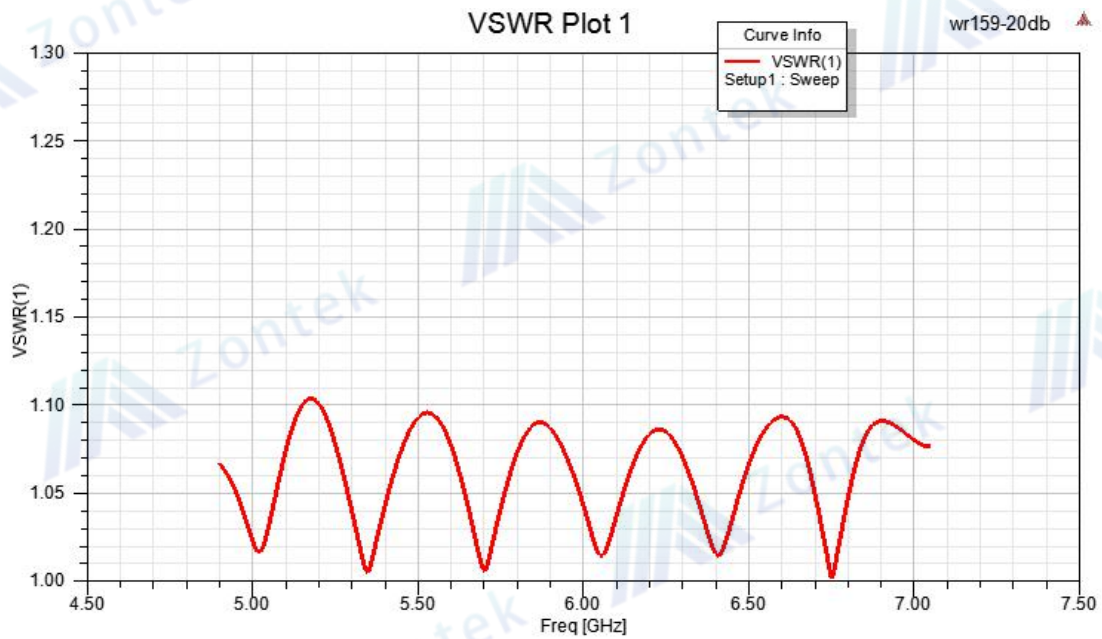


Chengdu Zontek Technology Co.,Ltd.

Outline Drawing:

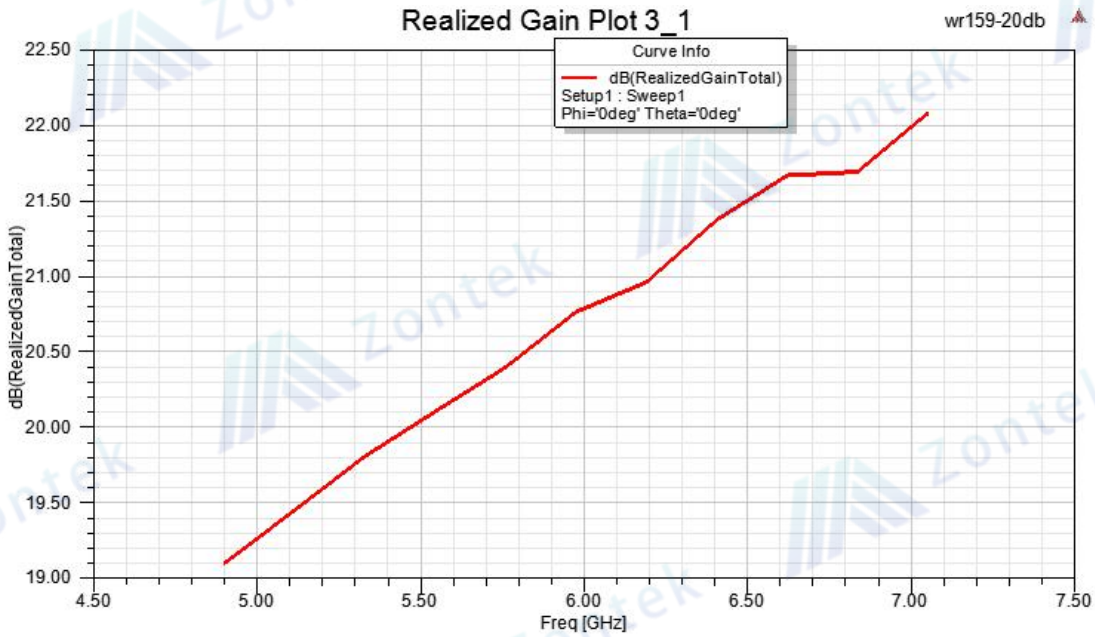


VSWR:

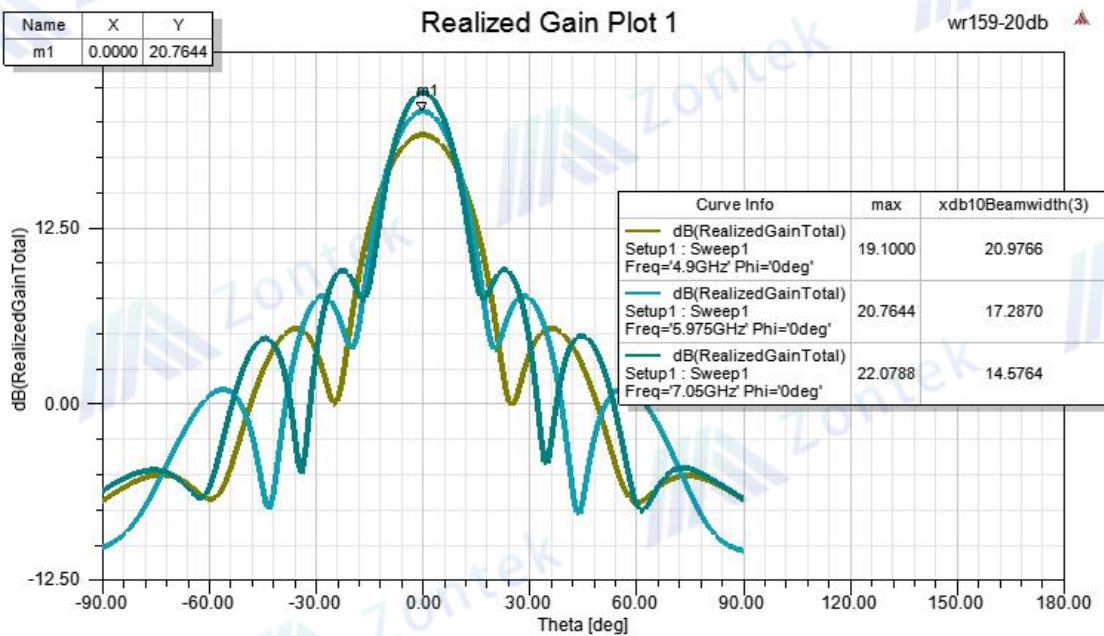




Gain:



Name	X	Y
m1	0.0000	20.7644





Chengdu Zontek Technology Co.,Ltd.

