

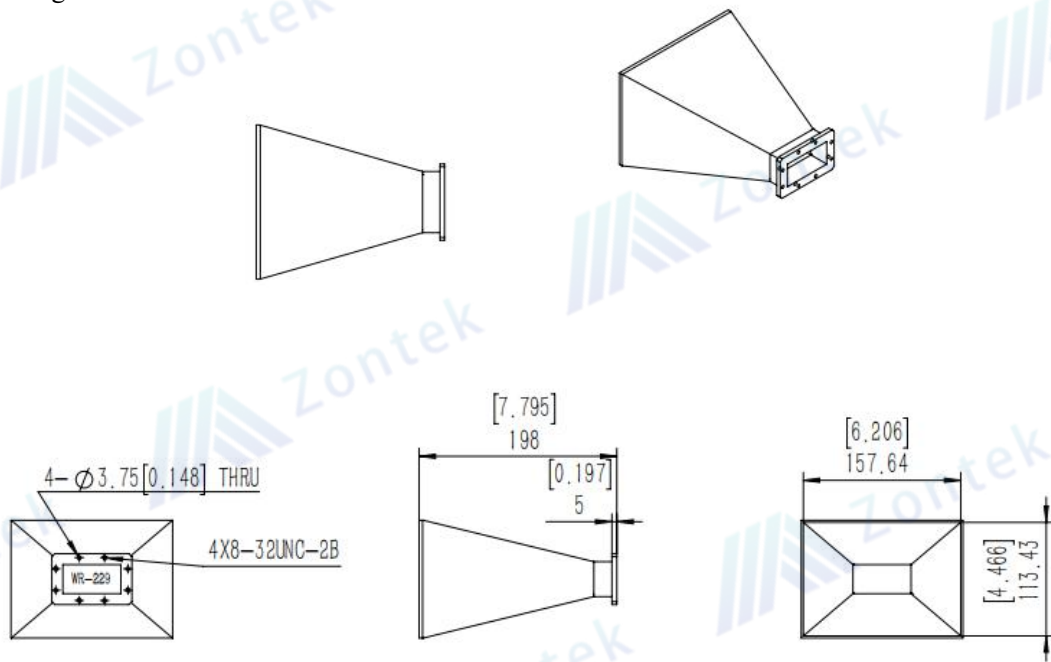


Technical Specification		
Standard Gain Horn Antenna		
Item	Specification	Unit
Model	ZK-STLB229-15	
Frequency Range	3.3-4.9	GHz
Gain	15 Typ.	dB
VSWR	1.3 Typ.	
Polarization	Linear	
Beam width of plane E	32°Typ	
Beam width of plane H	31°Typ	
Waveguide	WR229	
Flange	CMR-229	
Material	Al	
Color	Grey(7544C)	
Size	198*161.88*117.6(L*W*H)	mm

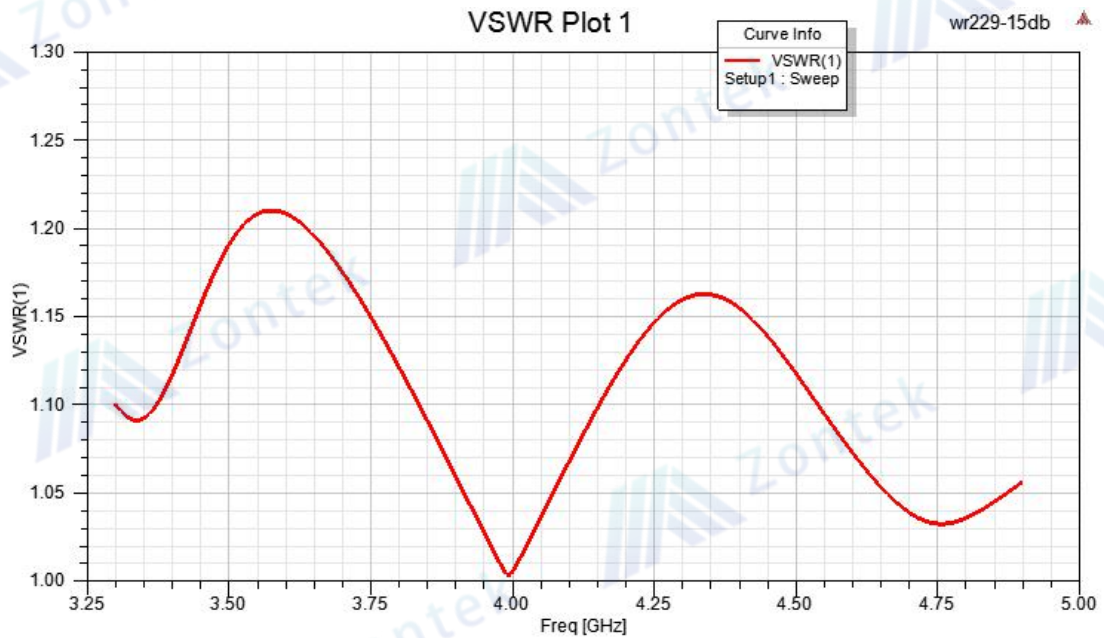


# Chengdu Zontek Technology Co.,Ltd.

Outline Drawing:



VSWR:





# Chengdu Zontek Technology Co.,Ltd.

Gain:

