

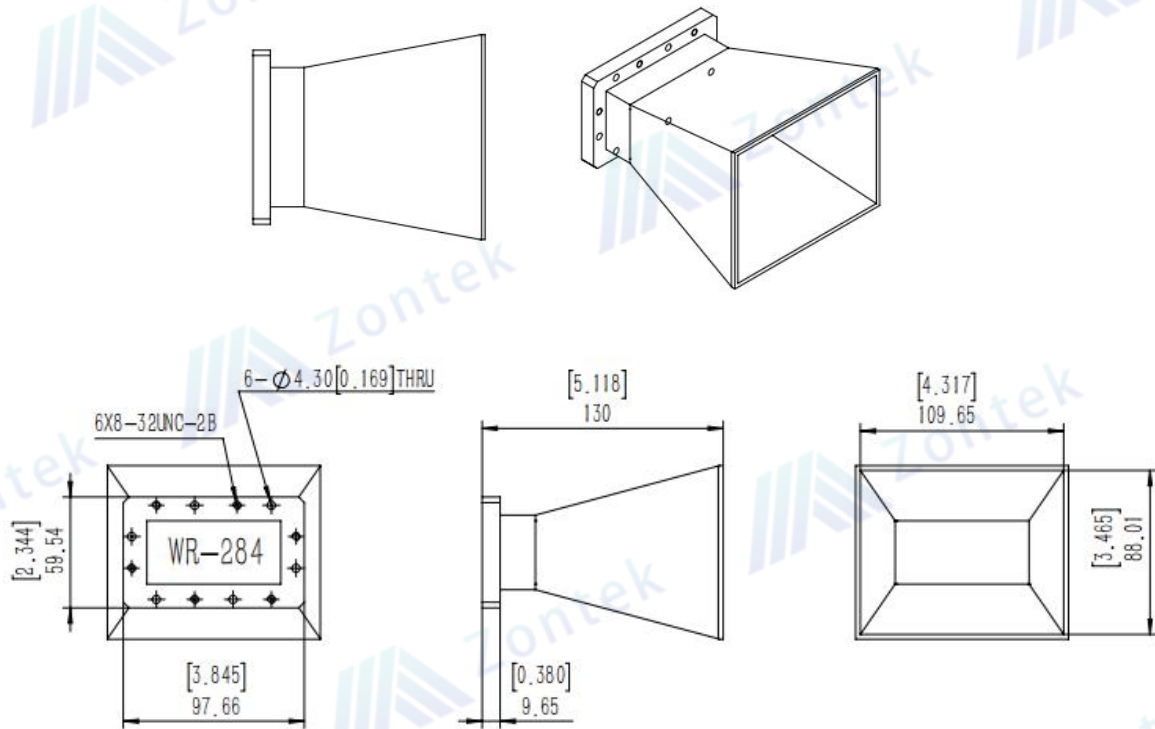


Technical Specification		
Standard Gain Horn Antenna		
Item	Specification	Unit
Model	ZK-STLB284-10	
Frequency Range	2.6-3.95	GHz
Gain	10 Typ.	dB
VSWR	1.3 Typ.	
Polarization	Linear	
Beam width of plane E	51.6°Typ	
Beam width of plane H	52.1°Typ	
Waveguide	WR284	
Flange	CMR-284	
Material	Al	
Color	Grey(7544C)	
Size	130*114.76*93.22(L*W*H)	mm

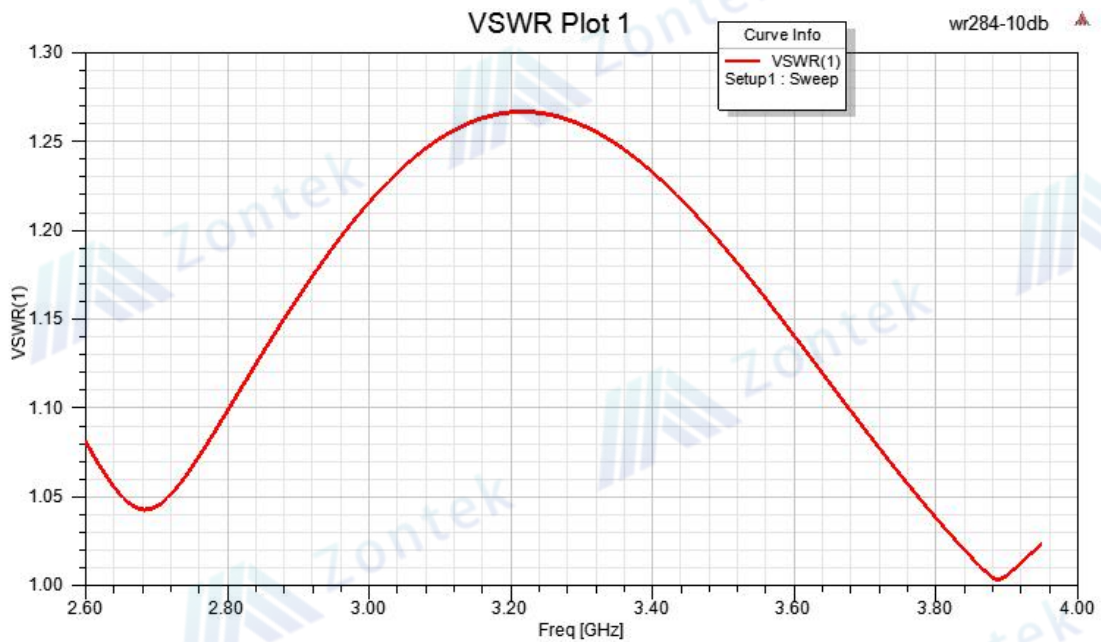


# Chengdu Zontek Technology Co.,Ltd.

Outline Drawing:



VSWR:





Gain:

