

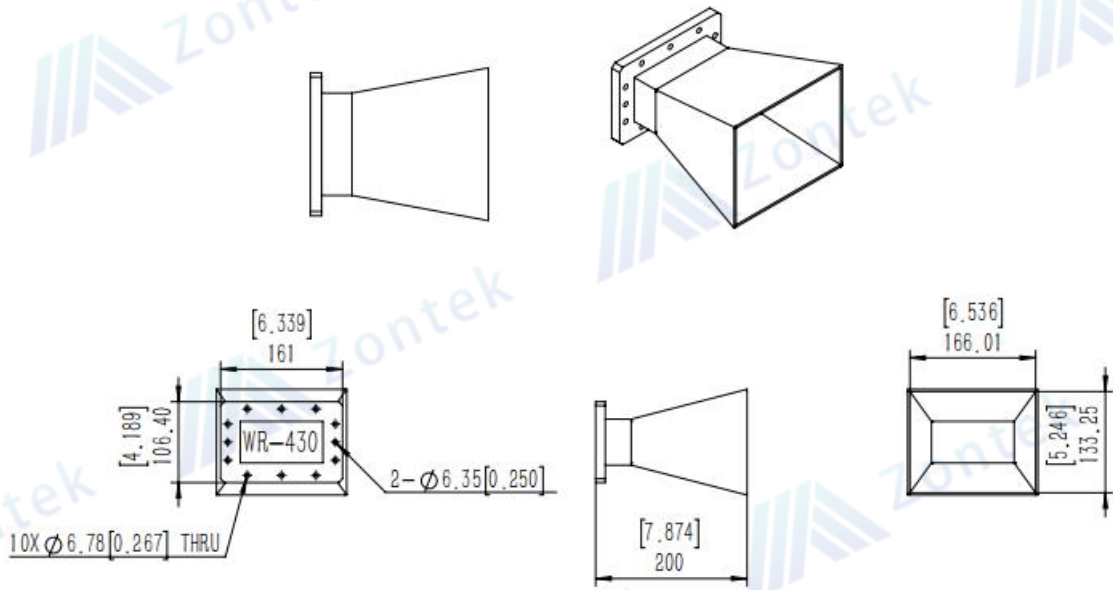


<b>Technical Specification</b>		
<b>Standard Gain Horn Antenna</b>		
Item	Specification	Unit
Model	ZK-STLB430-10	
Frequency Range	1.7-2.6	GHz
Gain	10 Typ.	dB
VSWR	1.3 Typ.	
Polarization	Linear	
Beam width of plane E	51.6°Typ	
Beam width of plane H	52.1°Typ	
Waveguide	WR430	
Flange	CPR-430F	
Material	Al	
Color	Grey(7544C)	
Size	200*172.12*139.44(L*W*H)	mm

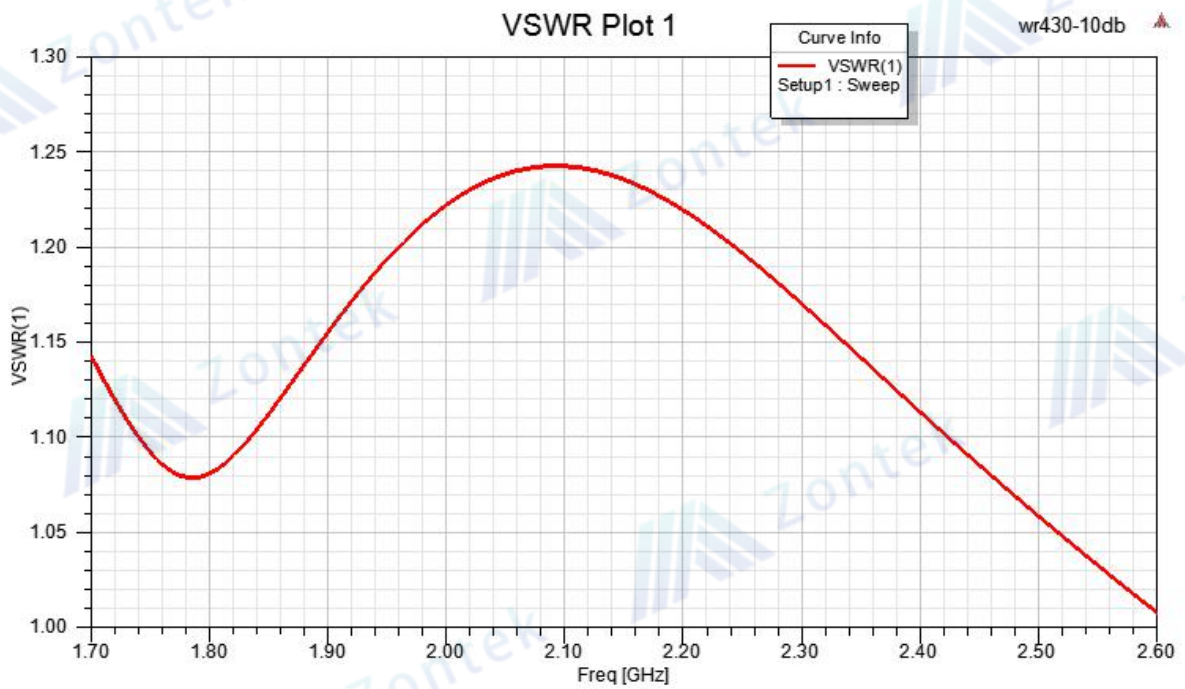


# Chengdu Zontek Technology Co.,Ltd.

Outline Drawing:



VSWR:





# Chengdu Zontek Technology Co.,Ltd.

Gain:

