

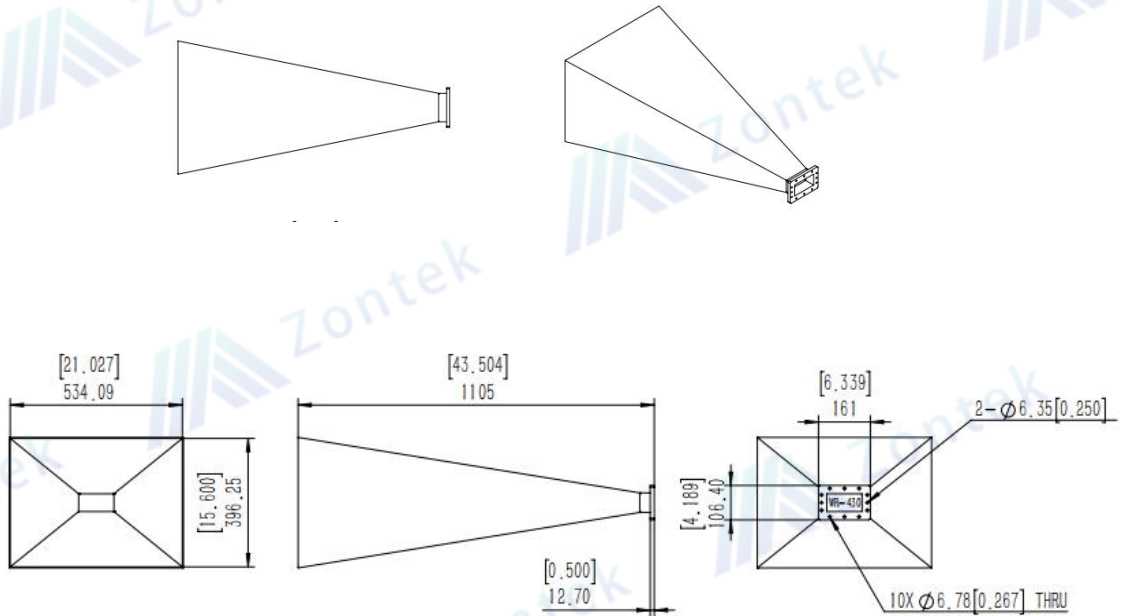


Technical Specification		
Standard Gain Horn Antenna		
Item	Specification	Unit
Model	ZK-STLB430-20	
Frequency Range	1.7-2.6	GHz
Gain	20 Typ.	dB
VSWR	1.3 Typ.	
Polarization	Linear	
Beam width of plane E	17.3°Typ	
Beam width of plane H	17.5°Typ	
Waveguide	WR430	
Flange	CPR-430F	
Material	Al	
Color	Grey(7544C)	
Size	1105*540.2*402.33(L*W*H)	mm

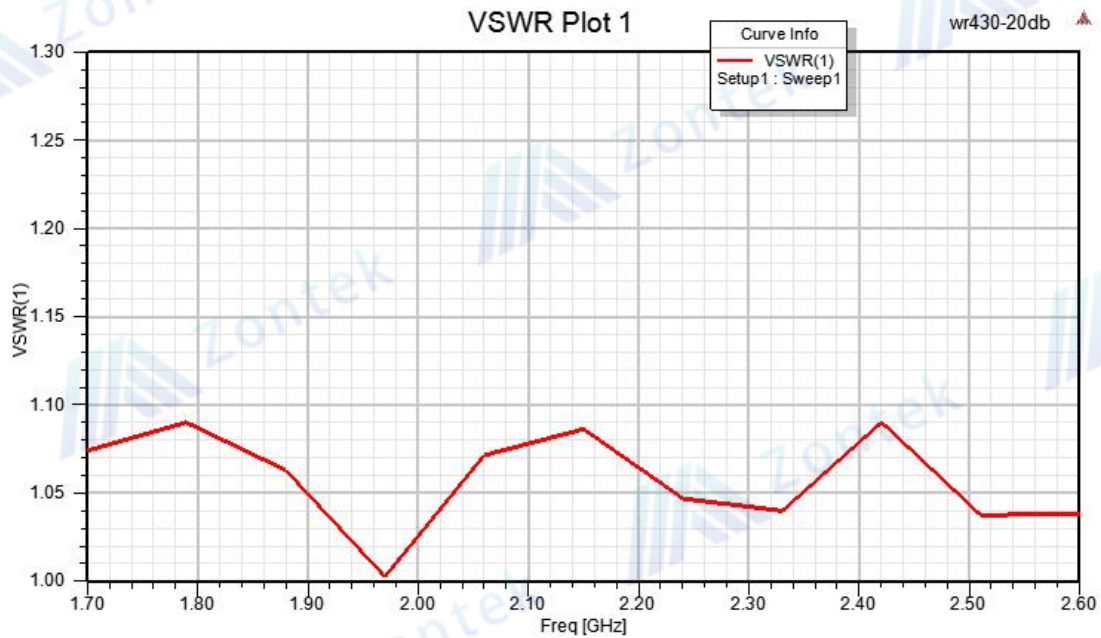


Chengdu Zontek Technology Co.,Ltd.

Outline Drawing:

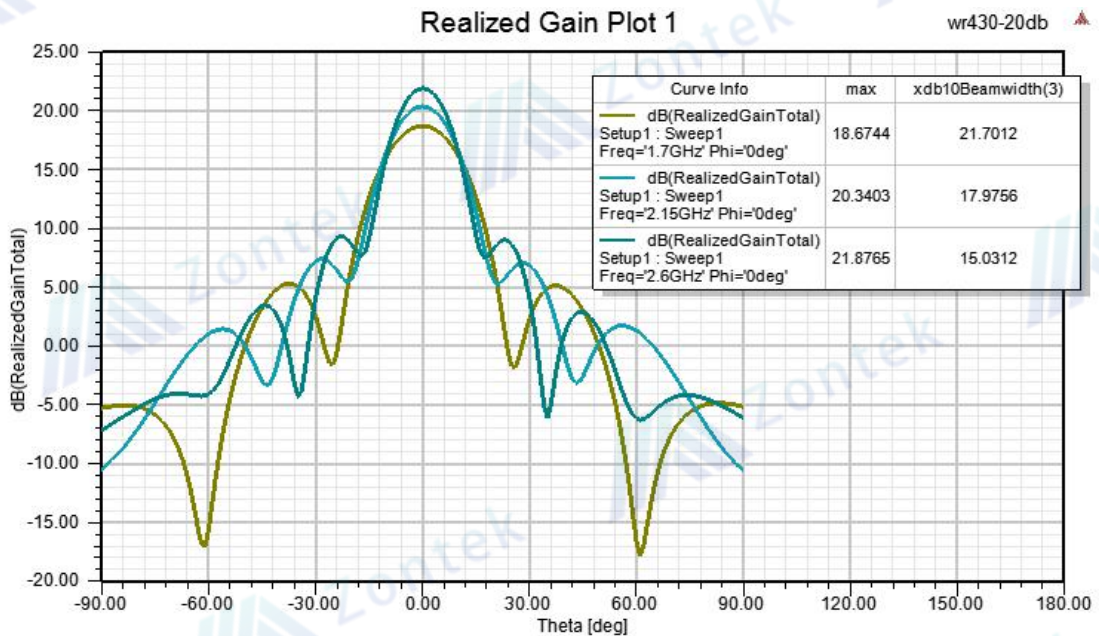
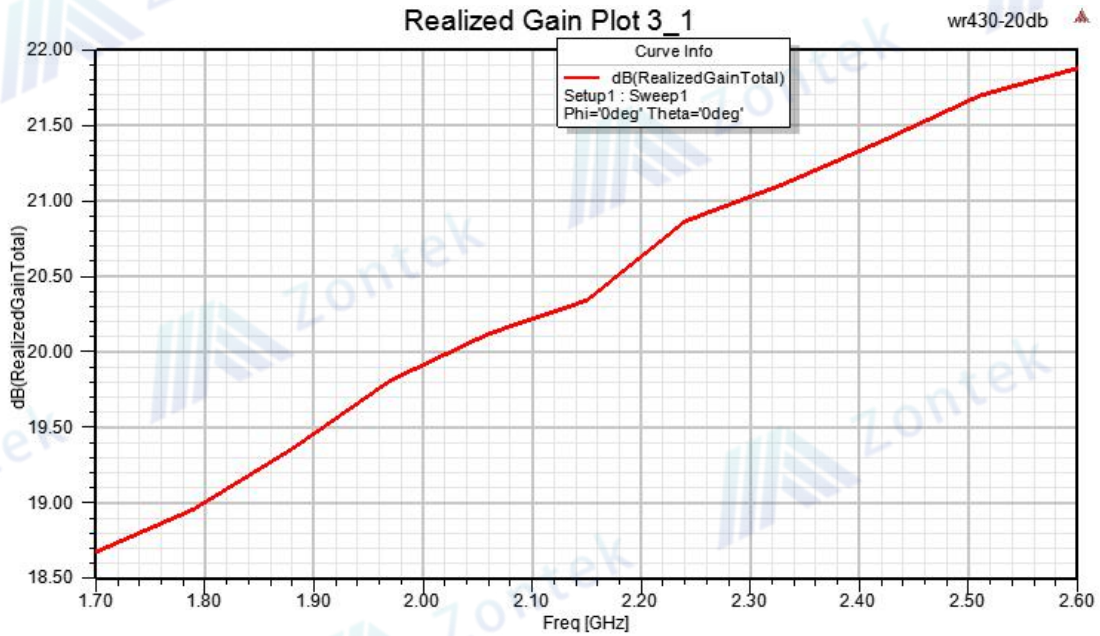


VSWR:





Gain:





Chengdu Zontek Technology Co.,Ltd.

